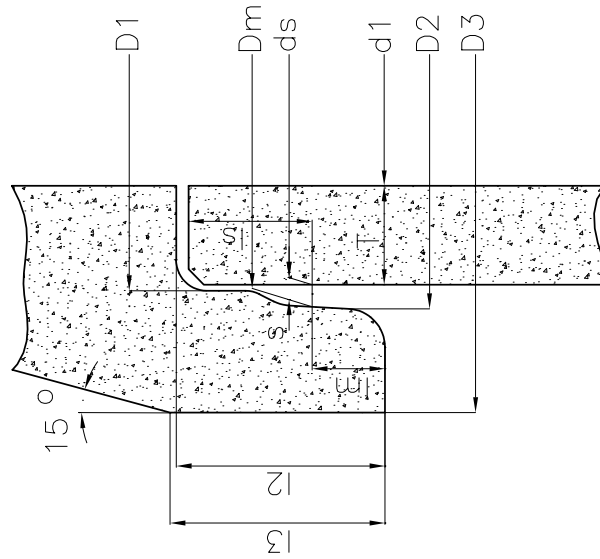
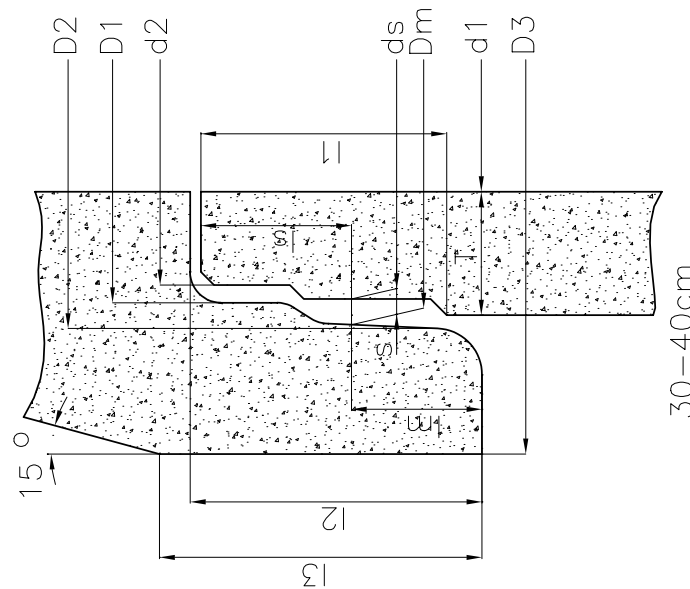
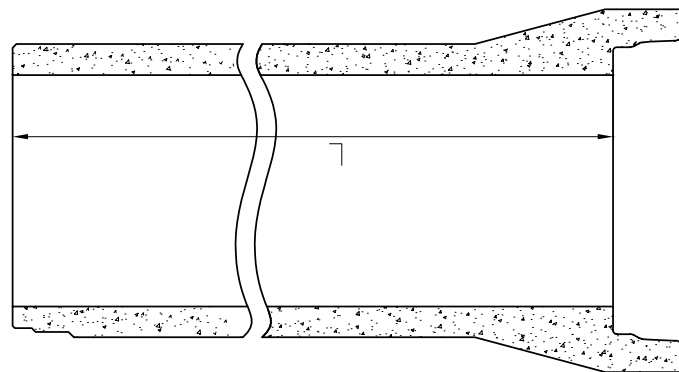


| Artikel | D | L | T | S | • | ▲ | ■ | γ | γ ₂ | γ | χ | D1 | D2 | D3 | Dm | Im | Is | I1 | I2 | I3 | Angaben freibleibend |
|-------------|-----|------|----|----|----|-----|------|-----|----------------|---|---|-----|-----|-----|-----|----|----|----|----|-----|----------------------|
| | mm | 1000 | 24 | 7 | 11 | 31 | kg | 1/8 | 45° | ✓ | ✓ | 152 | 163 | 212 | 161 | 20 | 37 | | 61 | 65 | |
| Muffenrohre | 125 | | 25 | 7 | 11 | 39 | 79 | ✓ | ✓ | ✓ | ✓ | 179 | 190 | 244 | 188 | 20 | 37 | | 61 | 65 | |
| | 150 | | 28 | 8 | 13 | 51 | 123 | ✓ | ✓ | ✓ | ✓ | 210 | 223 | 281 | 222 | 23 | 41 | | 68 | 70 | |
| | 200 | | 32 | 8 | 13 | 76 | 177 | ✓ | ✓ | ✓ | ✓ | 268 | 281 | 347 | 280 | 23 | 41 | | 68 | 70 | |
| | 250 | | 35 | 10 | 16 | 82 | 314 | ✓ | ✓ | ✓ | ✓ | 325 | 330 | 405 | 325 | 35 | 40 | 70 | 85 | 100 | |
| | 300 | | 40 | 11 | 16 | 125 | 392 | ✓ | ✓ | ✓ | ✓ | 372 | 390 | 470 | 388 | 43 | 46 | 80 | 95 | 105 | |
| | 400 | | 45 | 11 | 16 | 171 | 707 | ✓ | ✓ | ✓ | ✓ | 476 | 494 | 578 | 492 | 43 | 46 | 93 | 95 | 105 | |
| | | | | | | | 1257 | | | | | | | | | | | | | | |



30-40cm

10-20cm



**BETONWERKE
RIEFENTHALER**

SHUTTLEWORTHSTR. 31 - 67
A - 1210 WIEN
TEL 01 292 00 22 , FAX 290 10 00

MUFFENROHRE

6

MUFFENROHRE

| | Preis | kg |
|------|-------|-----|
| M 10 | 6,90 | 29 |
| M 12 | 7,90 | 39 |
| M 15 | 8,90 | 47 |
| M 20 | 11,20 | 64 |
| M 25 | 14,70 | 82 |
| M 30 | 16,80 | 128 |
| M 40 | 25,90 | 183 |

M - PUTZROHR

| | | |
|------|-------|-----|
| M 10 | 17,00 | 28 |
| M 12 | 18,40 | 39 |
| M 15 | 21,30 | 47 |
| M 20 | 26,60 | 64 |
| M 25 | 33,50 | 82 |
| M 30 | 41,60 | 128 |

M - SEITENZULAUF

| | | |
|---------|-------|-----|
| M 10/10 | 30,30 | 35 |
| M 12/12 | 33,90 | 41 |
| M 15/15 | 40,90 | 48 |
| M 20/20 | 50,10 | 68 |
| M 20/30 | 84,90 | 89 |
| M 15/20 | 50,10 | 74 |
| M 12/15 | 40,90 | 62 |
| M 25/20 | 79,00 | 120 |
| M 25/15 | 69,80 | 100 |

M - ÜBERGANG

| | | |
|---------|-------|----|
| M 10/12 | 15,40 | 8 |
| M 10/15 | 16,40 | 14 |
| M 12/15 | 16,50 | 18 |
| M 15/20 | 20,60 | 27 |
| M 20/25 | 28,50 | 48 |

M - BOGEN

| | | |
|------|-------|----|
| M 10 | 14,90 | 12 |
| M 12 | 16,00 | 15 |
| M 15 | 18,10 | 19 |
| M 20 | 22,30 | 22 |
| M 25 | 33,40 | 31 |
| M 30 | 37,70 | 40 |

Preise in EUR freibleibend ab Werk +20% MWST.
Rechnungsbetrag unter EUR 80,00 nur gegen Barzahlung
Fakturenwert unter EUR 40,00 Verrechnung von EUR 8,00 Bearbeitungsgebühr



**BETONWERKE
RIEFENTHALER**

SHUTTLEWORTHSTR. 31 - 67
A - 1210 WIEN
TEL 01 292 00 22 , FAX 290 10 00

MUFFENROHRE

7