

vola®

VOLA Round-head shower
Uniquely refreshing. Visibly VOLA.





VOLA Round-head shower

This is not the first shower to be designed and manufactured by VOLA. It is our first ever round-head shower. That's what makes it special.

Where should it be seen? In pride of place in any interior where elegance, luxury and simplicity are key.

It is a natural extension of the VOLA range. And it means a luxury bathroom can now be totally VOLA, combining chosen elements from our award-winning Round Series.

Wall mounted VOLA Round-head Shower finished in brushed steel.

Eternally VOLA: part of our heritage

What makes the VOLA Round Shower distinctive? That's simple. Its visual language. It clearly belongs to the VOLA range. At VOLA we believe in continuity. Our unique products all take their proportions from the classic Arne Jacobsen tap specially designed for us more than 40 years ago. That's why they work together so naturally.

The Round Shower is effortlessly elegant. Like all VOLA products, it keeps its technical parts subtly hidden from view.

Made from the finest materials and produced in Denmark to the highest ISO 14001 environmental standards, it combines long-lasting quality with timeless beauty.

But continuity isn't enough at VOLA. We also celebrate innovation. The Round-head Shower takes the special elements of our design language as its starting point to create an entirely new product. It plays with existing lines to produce a fresh and aesthetically-pleasing geometrical form.

Wall mounted VOLA Round-head Shower finished in brushed steel.





Totally VOLA: the Round Series

The Round-head shower is the latest evolution in our highly-acclaimed Round Series.

We believe a bathroom should be an area of total departure from the stresses of modern life. One where purity and harmony free the mind and senses.

In response to this, the Round Series takes the circle - already a key feature of VOLA design - as its focus. Building on this soothing form, its first two products were the round waste bin RS1 and the round paper tissue dispenser RS2 in 2011. Both are discreetly efficient. Both are represented by a pure circle built into the wall.

In living spaces that demand total cohesion between architecture and design, the Round Series provides a harmonious solution: with each product creating visual echoes of the next. And each also making a reference point to the VOLA taps and other accessories in the room.

We plan to launch more designs in the Round Series to complement the existing range.



The narrow 3-mm space between the ring and shower plate makes it visually lighter and adds precision to the form.

VOLA choice: options in opulence

VOLA is about the customer – and about the ultimate destination for each product. That's why the new Round Shower comes in several configurations and finishes to suit personal tastes and desired effects.

It can be ceiling - or wall-mounted. It can be finished in soft chrome - or in sharp-edged brushed steel as well as a variety of different colours.

The core design element of the Round Series is a narrow ring. The Round-head Shower adopts the same element, clearly visible from the side.

The core design element of the Round Series is an 11 mm ring. The Round-head Shower adopts the same dimensions for its own ring, clearly visible from the side.

We offer our customers the choice of several different flows. The Round Shower can deliver 24 litres or 15 litres of water per minute – to suit all bathing preferences.

Sustainability is important to VOLA. We believe that water conservation is only one part of a holistic approach to reducing energy consumption. At VOLA we contribute by manufacturing products that last for generations.

In the wall-mounted model, the relationships between the two cylindrical forms - one horizontal, one vertical - and the shower ring itself, carefully mirror classic VOLA design proportions.





Choice is at the very heart of what we do. The consistency of our designs and the inter-relationship between our forms enables us to offer a modular system, where each product can be combined with another in perfect harmony.

Wall mounted VOLA Round-head Shower finished in chrome

Wall mounted Vola Round-head Shower
finished in brushed steel.

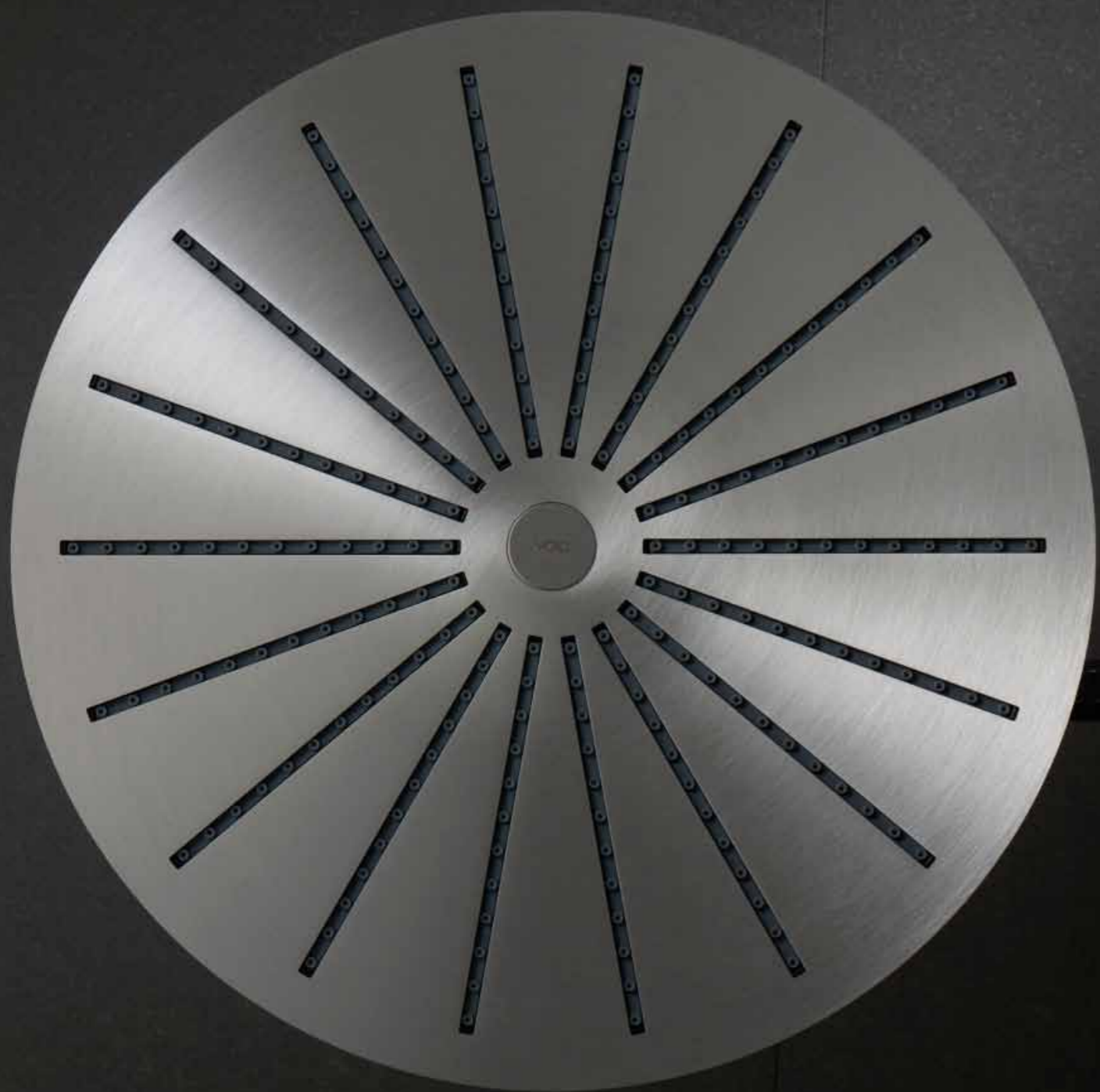


Wall mounted Vola Round-head Shower
finished in chrome.



The shower plate has 18 lines which fan out from the centre, each holding 12 rubber nozzles. The nozzles are drawn back into the form, contributing to its elegant appearance.

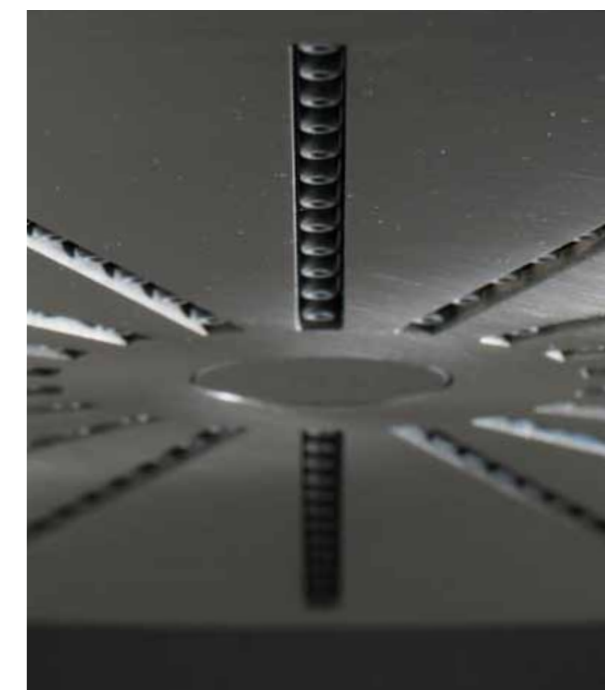
In the brushed steel model, the material has been brushed by hand in a circular motion to echo the ringed form.



VOLA quality and craftsmanship
VOLA uses only the highest quality raw materials. We apply our timeless designs and detailed processes to finish each product to perfection.



Caption for detail of product



Caption for detail of product



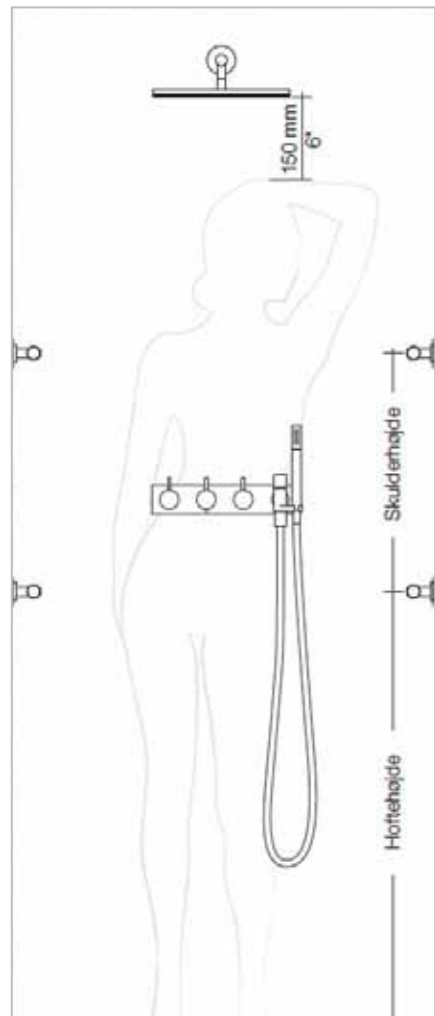
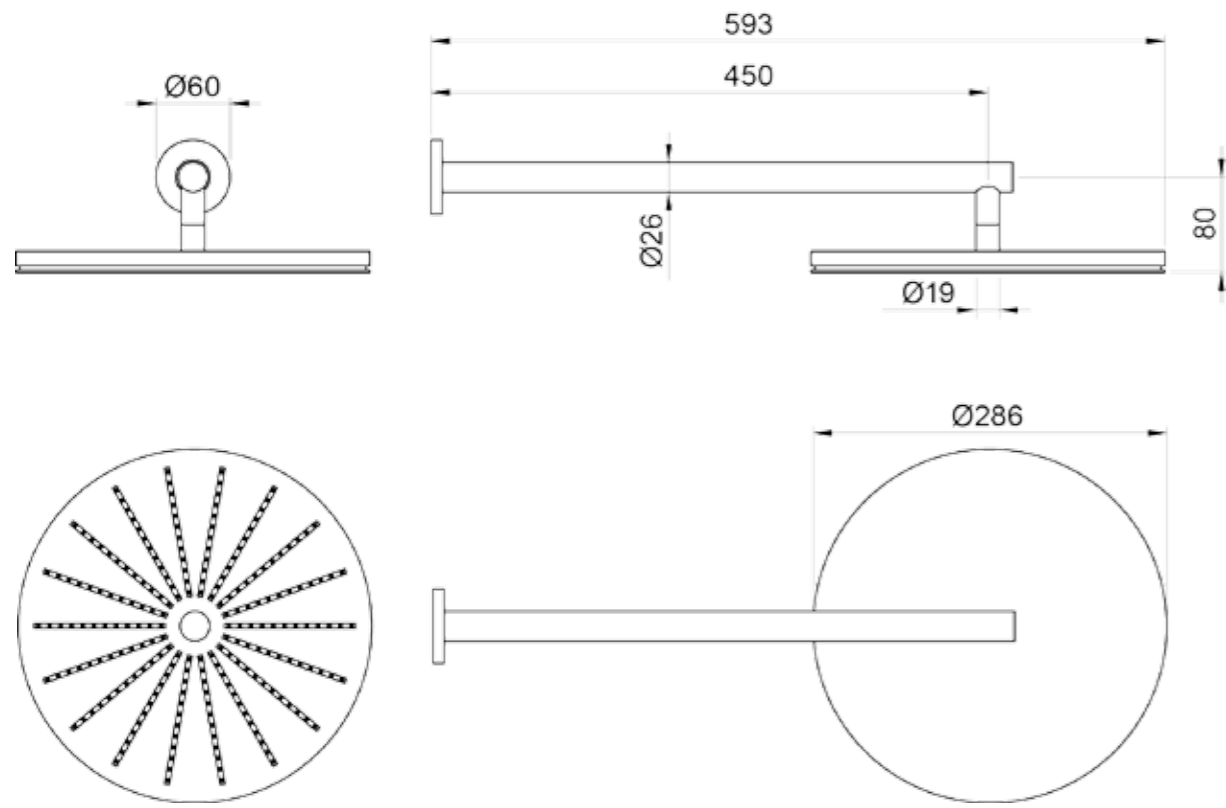
Ceiling mounted Round-head Shower
finished in brushed steel



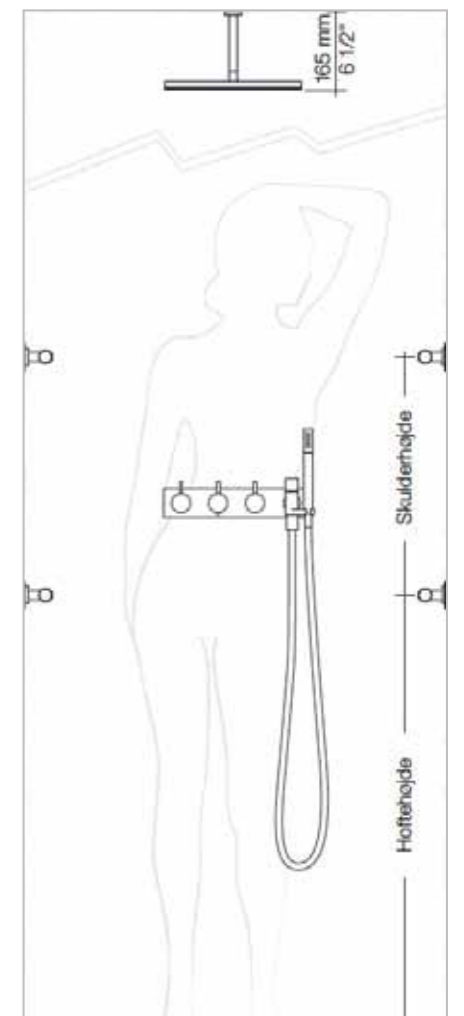
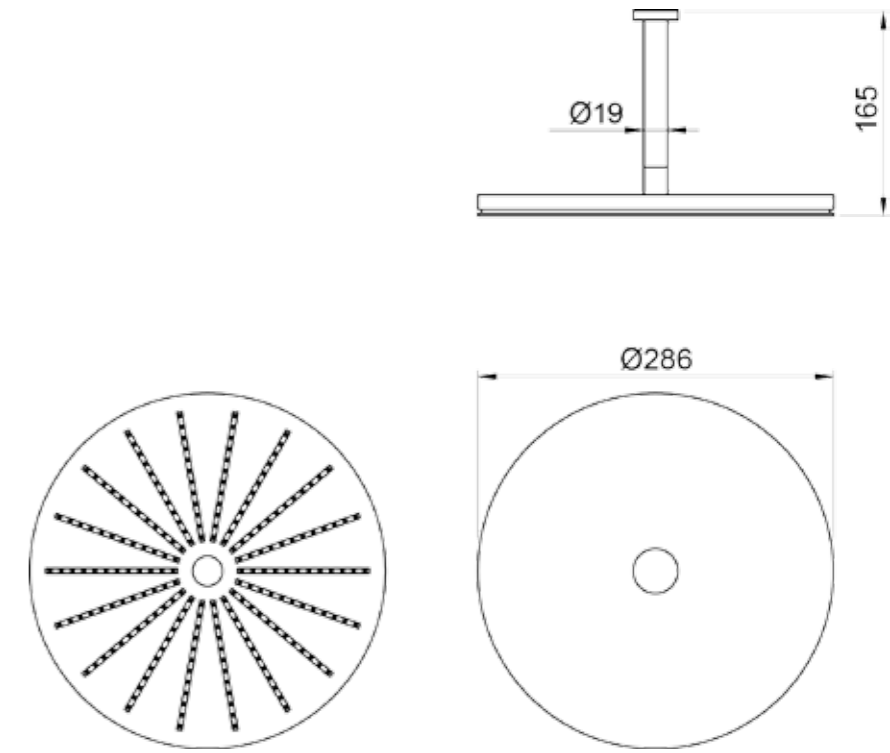
Ceiling mounted Round-head Shower
finished in chrome



VOLA wall mounted Round-head Shower



VOLA ceiling mounted Round-head Shower



VOLA innovation: a long tradition

At VOLA we take pride in the continuity of our design language. But we also celebrate novelty and innovation with each new product. More than forty years since the first VOLA tap was born, our designs are still receiving recognition from the industry.

The VOLA Round-head shower is designed by Aarhus Arkitekterne.

Here is a selection of our recent accolades:

- GERMAN DESIGN AWARD 2013 (German Design Council) - for the built-in waste bin RS1
- GOOD DESIGN AWARD 2011 (The Chicago Athenaeum: Museum of Architecture and Design) - for the built-in waste bin RS1
- PLUS X AWARD - Best Product of the Year 2011 in its category/seals of approval in Innovation, Design and Functionality - for the Round Series
- GOOD DESIGN AWARD 2009 (The Chicago Athenaeum: Museum of Architecture and Design) - for the towel warmer T39, and the free-standing shower FS3
- GOOD DESIGN AWARD 2007 (The Chicago Athenaeum: Museum of Architecture and Design) - for the free-standing bath filler FS1

As with all our products, we offer easily accessible after sales service and support from our professionals - each of whom has been trained at our dedicated VOLA Academy or by our local representative.



The VOLA Academy

VOLA Studio.
32-36 Great Portland Street
London W1W 8QX
Tel: 020 7580 7722
sales@vola.co.uk
www.vola.com

vola®

Celebrating change. Celebrating continuity.

AUSTRALIA

dedece
263 Liverpool Street
Darlinghurst
NSW 2010 Sydney
Tel: 2 9360 2722
dedece@dedece.com
www.dedece.com

BELGIË

VOLA bvba
Valkenburgerstraat 23
1011 MG Amsterdam
Tel: 03 440 46 19
sales@vola.be
www.vola.be

CANADA

Ginger's Bath
95 Ronald Ave.
Toronto, Ontario
M6B 4L9
Tel: 416-787-1787
gingers@gingersbath.com
www.elte.com

DANMARK

VOLA A/S
Lunavej 2
8700 Horsens
Tel: + 45 70 23 55 00
sales@vola.dk
www.vola.dk

DEUTSCHLAND

VOLA GmbH
Schwanthaler Straße 75A
80336 München
Tel: 089/599959-0
vola@vola.de
www.vola.de

ESPAÑA

ARTQUITECT
C/ Dolors Granés, 79
08440 Cardedeu
Barcelona
Tel: 93 844 40 70
artquitect@artquitect.net
www.artquitect.net

ESTONIA

Hals Interiors OÜ
Kadaka tee 42H
12915 Tallinn
Tel: 71 514 10
hals@hals.ee
www.hals.ee

FRANCE

sopha industries
44, rue Blanche
75009 Paris
Tel: 01 42 81 25 85
sopha@sopha.fr
www.sopha.fr

GREAT BRITAIN

VOLA UK Ltd.
Unit 12, Ampthill Business Park
Station Road, Ampthill
Bedfordshire MK45 2QW
Tel: 01525 84 11 55
sales@vola.co.uk
www.vola.co.uk

HELLAS

moda bagno s.a.
50 Anapafseos Street
Vrilissia 15 235, Athens
Tel: 210 8036700
info@modabagno.gr
www.modabagno.gr

HONG KONG

portfolio group limited
G/F, 59 Elgin Street,
Central, Hong Kong
Tel: 28680765
sales@pgltd.com.hk

H2O Pro Ltd.

16/F First Commercial Building,
33 Leighton Road
Causeway Bay
Tel: 852 2891 6860
info@h2opro.com.hk
www.ebon.com.hk

ISLAND

Tengi ehf.
Smidjuvegur 76
200 Kópavogur
Tel: 414-1000
www.tengi.is

ITALIA

RAPSEL Spa
Via Volta, 13
20019 Settimo Milanese (MI)
Tel: 02.33 55 981
www.rapsel.it

KOREA

E.L. System Co. Ltd.
2F, Inwha B/D,
97-17 Nonhyun-dong
Kangnam-gu
Seoul
Tel: (02) 598-4517

KYPRIAKI DIMOKRATIA

S.C. Nicolaidis Ltd.
3, Gregoriou Karekla str.
Strovolos
P.O. Box 21703
1512 Nicosia
Tel: 22 813 200
info@oikia.com.cy

LATVIA

Hals Trading Ltd.
Antenas str. 3
1004, Riga
Tel: 7629561
info@halstrading.lv
www.hals.ee

LEBANON

Geahchan Group
Sin El Fil
Geahchan Building
Hayek Round About
Beirut
Tel: 01. 480 520
info@geahchangroup.com
www.geahchangroup.com

MEXICO

Productos de Latón
de Alta Calidad S.A. de C.V.
México, D.F.
Tel: 01800 2253946
placsadecv@hotmail.com
www.gzdisi.biz/vola/vola.html

NEDERLAND

VOLA Sanitair BV
Valkenburgerstraat 23
1011 MG Amsterdam
Tel: 020 36 56 356
info.nl@vola.com
www.vola.com

NIPPON

Cera Trading Co.,Ltd
Juko BLDG.6F,
1-26-1 Minami-Aoyama,
Minato-ku,
Tokyo 107-0062
Tel: 03-3796-6151
cera@mb.toto.co.jp
www.cera.co.jp

Fuji Design Corporation

3 -15 -14 Higashi-Ikebukuro
Toshima-Ku
Tokyo 170- 0013
Tel: 03-3983-2251
inf@fujid.com
www.fujid.com

NORGE

shelby teknikk as
Strandgaten 55
4370 Egersund
Tel: 51 46 18 00
post@shelby.no
www.shelby.no

ÖSTERREICH

VOLA Vertriebs GmbH
Kandlgasse 19
1070 Wien
Tel: 01/526 39 71-0
info@vola.at
www.vola.at

RUSSIA

Tendenza
UL. Solyanka 1/2-1
109028 Moscow
Tel: 624-13-12
Tel: 624-24-49
www.tendenza.ru
info@tendenza.ru

PORTUGAL

CARVALHO, BATISTA & Ca, Sa.
Rua do Almada
29-79-89 - Apartado 4784
4013-001 Porto
Tel: 22 339 21 26 / 7 / 9
carvalhobatista@mail.telepac.pt
www.carvalhobatista.pt

SCHWEIZ

VOLA AG
Müllistr. 18
8320 Fehraltorf
Tel: 044/955 18 18
sales@vola.ch
www.vola.ch

SINGAPORE

Wan Tai & Co. (Pte.) Ltd.
25 Changi South Avenue 2
SINGAPORE 486630
Tel: 6546 5900
info@wantai.com
www.bathroomgallery.com.sg

SLOVENIJA

MODERNA d.o.o.
Ivanocijevo nas. 5
9000 Murska Sobota
Tel:/Fax: 00386 2 532 1967
Periceva 31
1000 Ljubljana
Tel: 00386 1 236 21 83
moderna@siol.net

SUOMI

INNO-TUOTE OY
Main office and production
TÄHDENLENNONTIE 9
02240 ESPOO
Tel: (0) 9 8870 380
info@innointerior.fi
www.inno.fi

SOUTH AFRICA

Still the bathroom gallery
Unit 111A, The Foundry
74 Prestwich Str.
Green Point Cape Town
South Africa 8001
Tel: 021 421 9970/2
info@stillbathrooms.co.za
www.stillbathrooms.co.za

SVERIGE

VOLA ab
Ruddammsgatan 14, 2
S-803 20 Gävle
Tel: 026-140230
sales@vola.se
www.vola.se

UNITED ARAB EMIRATES

Sanipex LLC
Sheik Zayed Road
P.O. Box 30871
Dubai
Tel: 971 4 339 5660
www.sanipexdubai.com

UNITED STATES

Hastings Tile and Bath Collection
30 Commercial Street
Freeport, NY 11520
Tel: 516-379-3500
Tel: 800-351-0038
vola@hastings30.com
www.hastings30.com